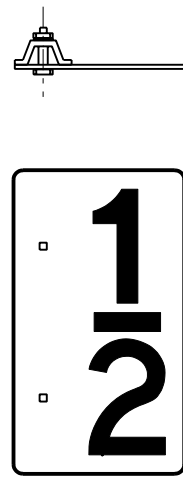
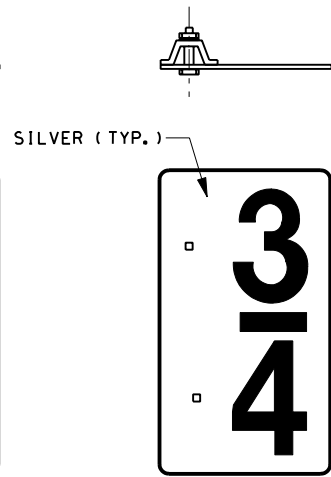


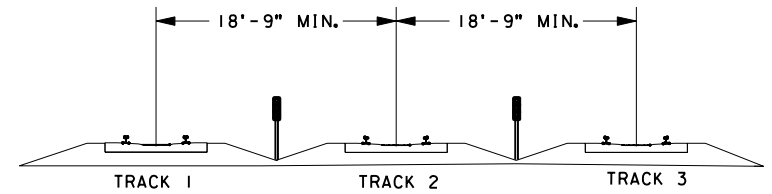
ITEM NO. 393-2597



ITEM NO. 393-2738



ITEM NO. 393-2878



MILE AND INTERMEDIATE POST MARKERS IN MULTI-TRACK SITUATIONS WITH WIDE TRACK CENTERS

NOTES:
SIGN TO BE PLACED ON ENGINEER'S SIDE OF TRACK, WITH NEAREST POINT OF SIGN TO BE A MINIMUM OF TEN FEET FROM THE GAGE SIDE OF THE NEAREST RAIL.

IN TERRITORIES WHERE MULTIPLE MAIN TRACKS OR SINGLE MAIN TRACK WITH ADJACENT CONTROLLED SIDINGS EXIST WITH TRACK CENTERS LESS THAN 18'-9", MILE AND INTERMEDIATE MARKERS ARE TO BE PLACED ON THE FIELD SIDE OF OUTSIDE TRACKS ONLY. WHERE TRACK CENTERS BETWEEN ANY OF THESE TRACKS ARE 18'-9" OR GREATER, MARKERS ARE TO BE CENTERED AND PLACED BETWEEN TRACKS.

INTERMEDIATE MILE MARKERS TO BE USED WHERE QUARTER MILES ARE NOT TAGGED ON POLE LINE.

ON BRANCH MAIN TRACK, ONLY THE 1/2 MILE MARKERS ARE TO BE USED. THE 1/4 AND 3/4 MILE MARKERS ARE NOT TO BE USED ON BRANCH LINES UNLESS APPROVED BY THE CHIEF ENGINEER.

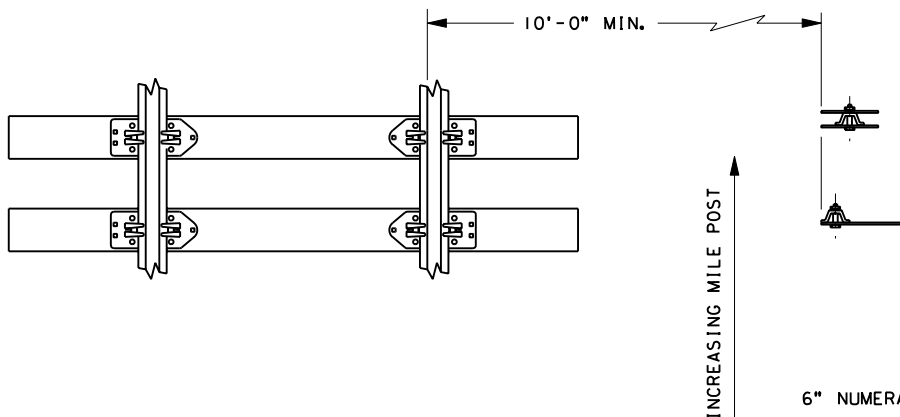
INTERMEDIATE POST MARKER TO BE OFFSET AWAY FROM TRACK. SIGN TO BE 3870 SILVER 3M HIGH INTENSITY BACKGROUND (BOTH SIDES) ON 0.080" 3105 ALUMINUM SHEET.

FOR FULL MILE MARKER, USE NUMERAL SIGNS.

FOR 6" NUMERAL SIGNS, SEE STD DWG 0502
FOR MOUNTING DETAILS, SEE STD DWG 0599

REF. PREVIOUS U.P. STD PAGE 0535-A

INTERMEDIATE POST MARKERS



POST MARKER LOCATIONS



MILE POST MARKER

UNION PACIFIC RAILROAD
ENGINEERING STANDARDS

MILE AND INTERMEDIATE POST MARKER



ADOPTED: JULY 16, 1969
REVISED: MARCH 1, 1998
FILE NO.: 0535

STD DWG
0535A

STD DWG
0535A