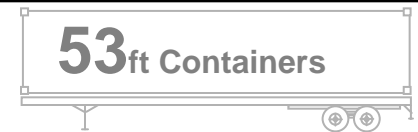


This load plan is intended for general information purposes only and is not recommended for any specific cargo. Other Carriers are not required to accept this load plan or any plan suggested by Union Pacific Railroad. This information is offered to shippers to assist in understanding the rail environment, the shipper is ultimately responsible for choosing how best to package, block and brace its cargo to avoid damage to the cargo and rail equipment.

General load plan for 40 x 48 pallets

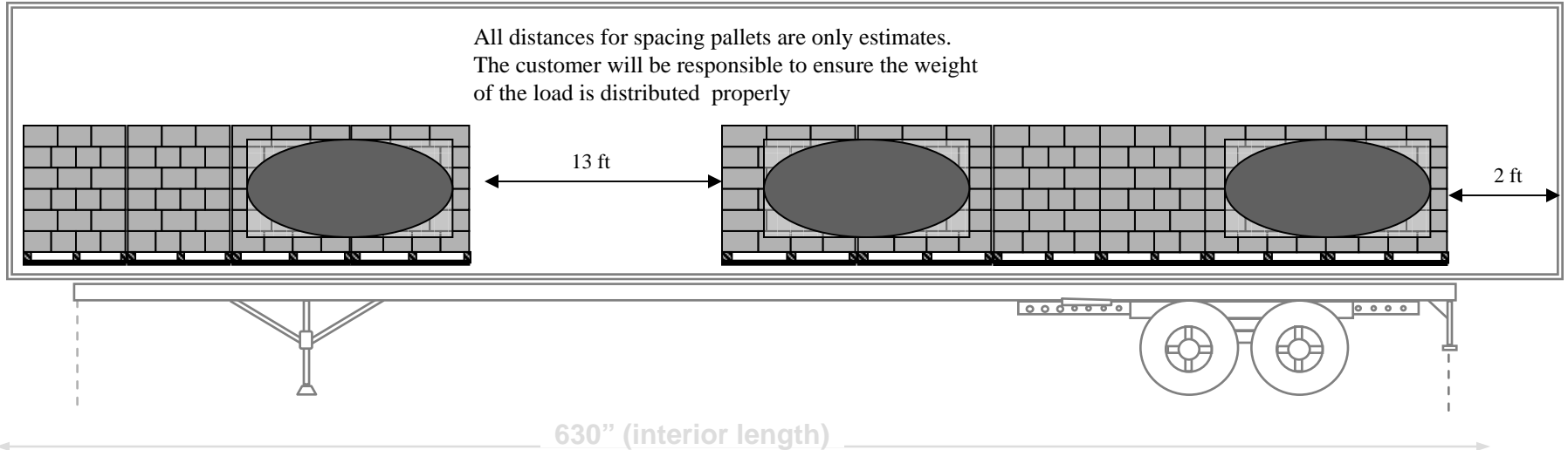


20 Spots Non Haz-mat

Nose

Side Wall Cutaway View

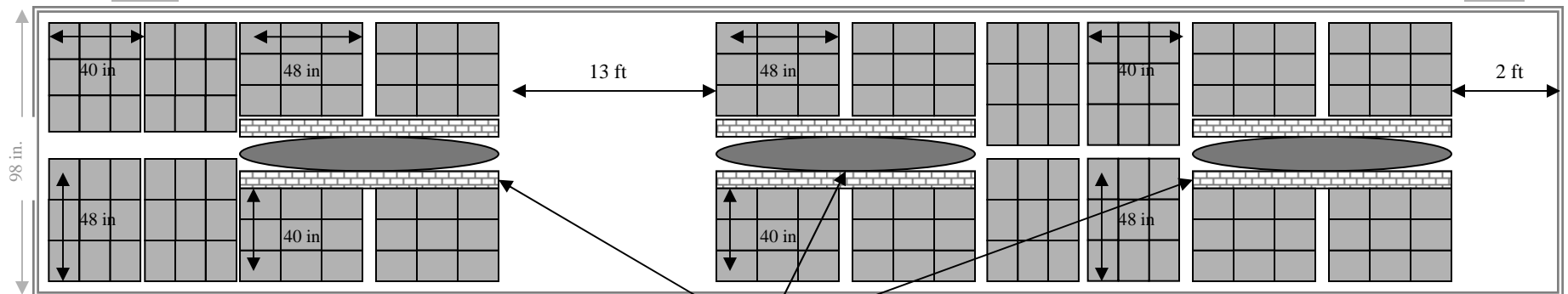
Rear



Nose

Overhead View

Rear



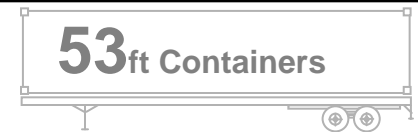
4 ply 48 x 96 airbags with 6 inch void filler on each side between the bag and the product.. Center void filled by the airbag must be less than 6 inches



Union Pacific Damage Prevention
File: 40 x 48 pallets 20 loads
Date: 06/09/05 By: EOW

This load plan is intended for general information purposes only and is not recommended for any specific cargo. Other Carriers are not required to accept this load plan or any plan suggested by Union Pacific Railroad. This information is offered to shippers to assist in understanding the rail environment, the shipper is ultimately responsible for choosing how best to package, block and brace its cargo to avoid damage to the cargo and rail equipment.

General load plan for 40 x 48 pallets

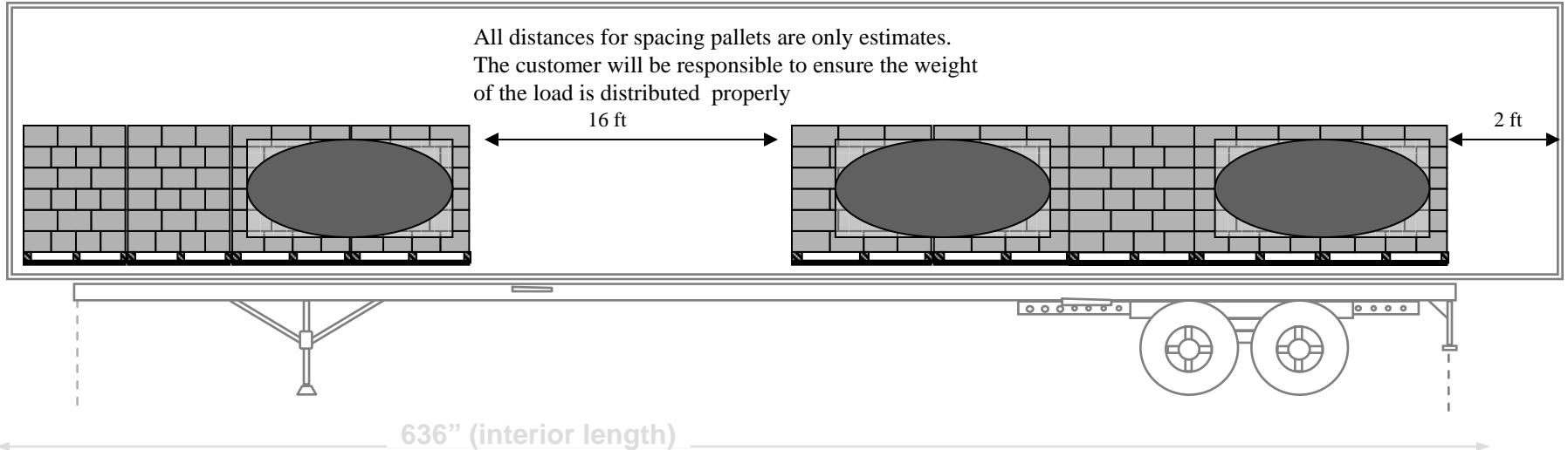


18 Spots Non Haz-mat

Nose

Side Wall Cutaway View

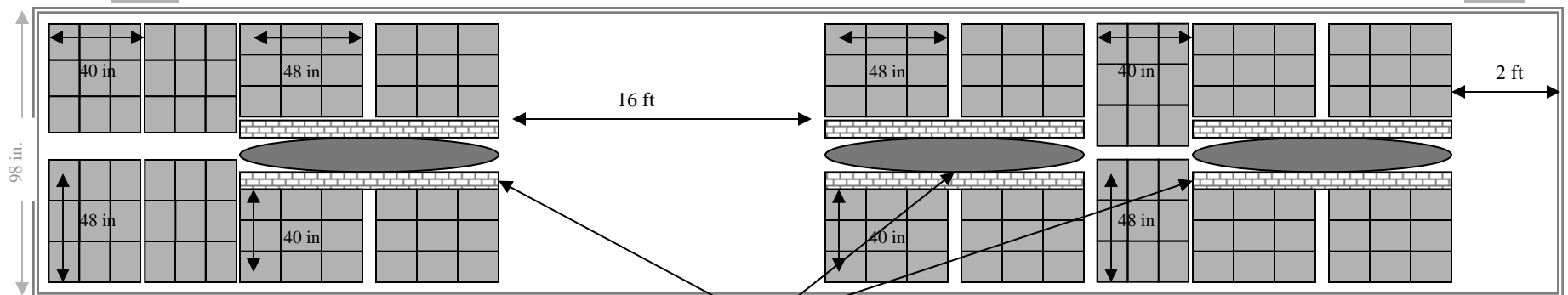
Rear



Nose

Overhead View

Rear



4 ply 48 x 96 airbags with 6 inch void filler on each side between the bag and the product.. Center void filled by the airbag must be less than 6 inches

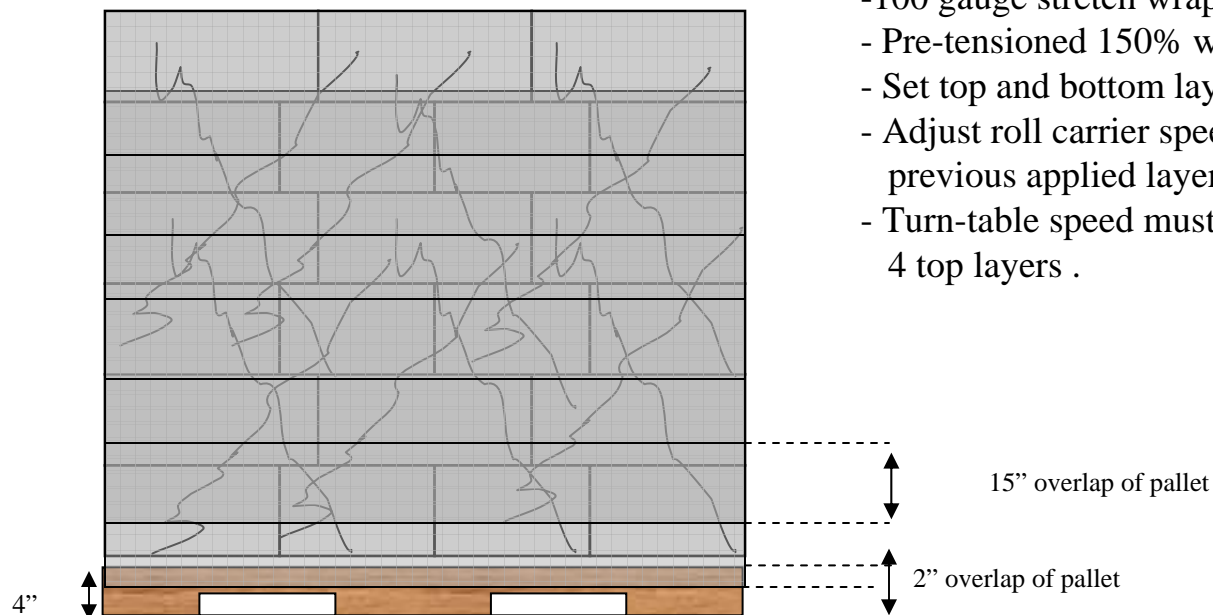


Union Pacific Damage Prevention
File: 40 x 48 pallets 18 loads
Date: 06/09/05 By: EOW

Recommendation for Stretch Wrap



- 100 gauge stretch wrap, 30” wide
- Pre-tensioned 150% with four full wraps per stack.
- Set top and bottom layer count to four wraps
- Adjust roll carrier speed to allow film wrap to overlap the previous applied layer by 15 inches.
- Turn-table speed must be adjusted to allow application of 4 top layers .



Four full wraps per pallet
with 2” overlap to the pallet and top of the load

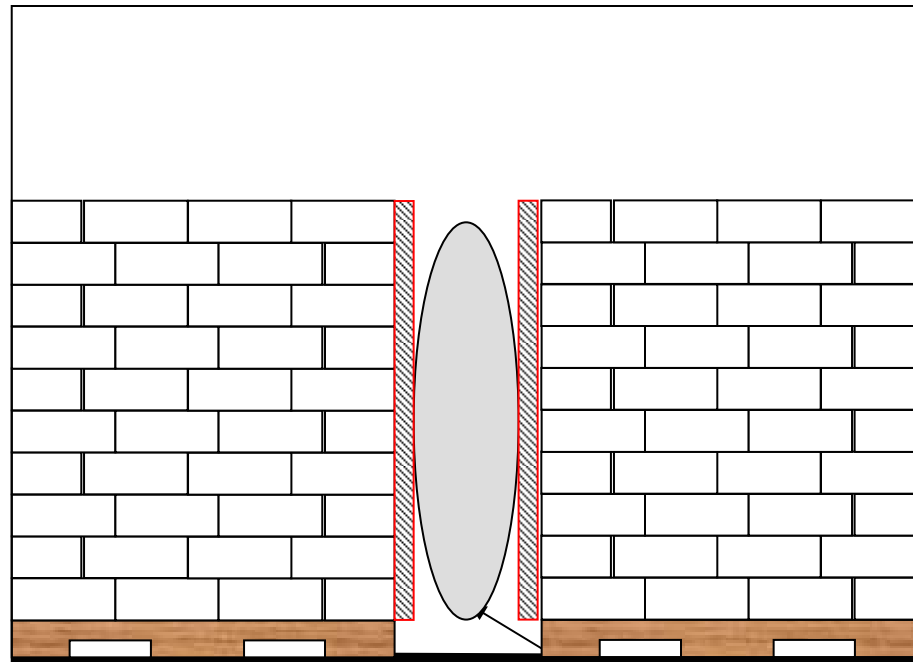
This load plan is intended for general information purposes only and is not recommended for any specific cargo. Other Carriers are not required to accept this load plan or any plan suggested by Union Pacific Railroad. This information is offered to shippers to assist in understanding the rail environment, the shipper is ultimately responsible for choosing how best to package, block and brace its cargo to avoid damage to the cargo and rail equipment.



Union Pacific Damage Prevention
File: Stretch wrap to pallet
Date: 04/19/05 By: EOW

AirBag Placement and Usage Guidelines for Securing InterModal PalletLoads

Air Bag



Buffer Material Around Air Bag (typical)

Specifications : Kraft paper faced with 5.5" interior cell , 1,100 lb. crush resistance.

Air Bag (typical)

Specifications : 4 ply D.I.D. air bag with 90 lb. extensible paper cover and 5 mil interior bladder. Inflated with gauge to mfg. specs.

This load plan is intended for general information purposes only and is not recommended for any specific cargo. Other Carriers are not required to accept this load plan or any plan suggested by Union Pacific Railroad. This information is offered to shippers to assist in understanding the rail environment, the shipper is ultimately responsible for choosing how best to package, block and brace its cargo to avoid damage to the cargo and rail equipment.

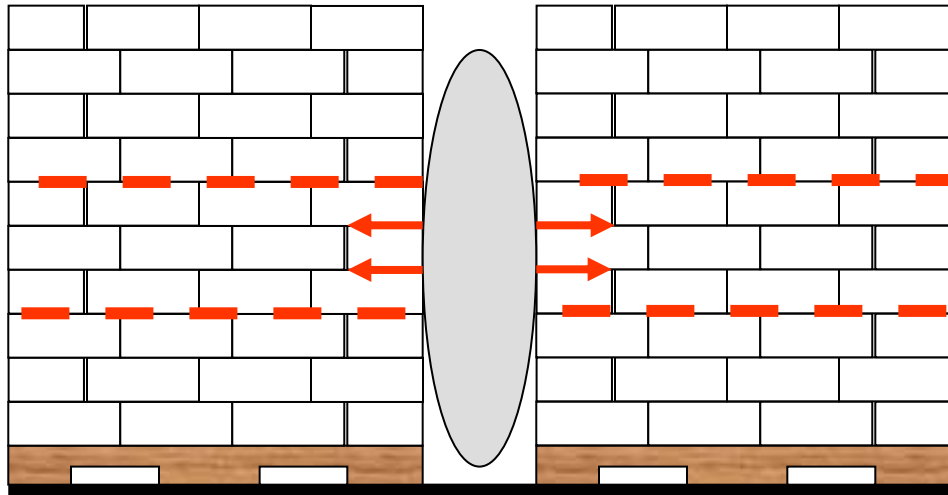
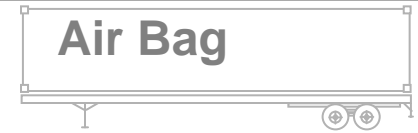


Union Pacific Damage Prevention
File: Air Bag Guide

Date: 06/15/06 By: EOW

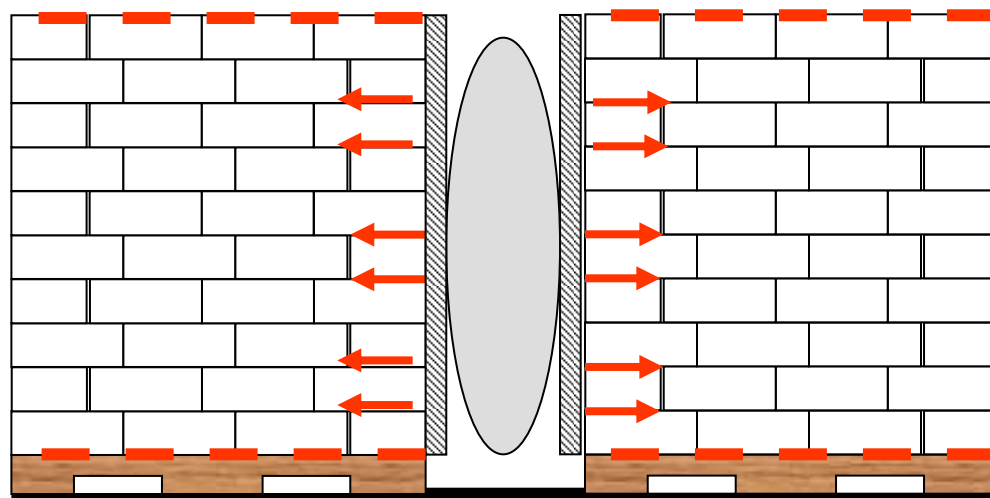
AirBag Placement and Usage Guidelines for Securing InterModal PalletLoads

Air Bag



Contact area of the air bag
without buffer material

This load plan is intended for general information purposes only and is not recommended for any specific cargo. Other Carriers are not required to accept this load plan or any plan suggested by Union Pacific Railroad. This information is offered to shippers to assist in understanding the rail environment, the shipper is ultimately responsible for choosing how best to package, block and brace its cargo to avoid damage to the cargo and rail equipment.



Contact area of the air bag
with buffer material
bag actually filling a void of 4-12"



Union Pacific Damage Prevention
File: Air Bag Guide

Date: 06/15/06 By: EOW