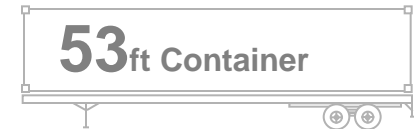


80 - 55 Gallon drums 24in diameter 4-3-4 pattern With Endgate

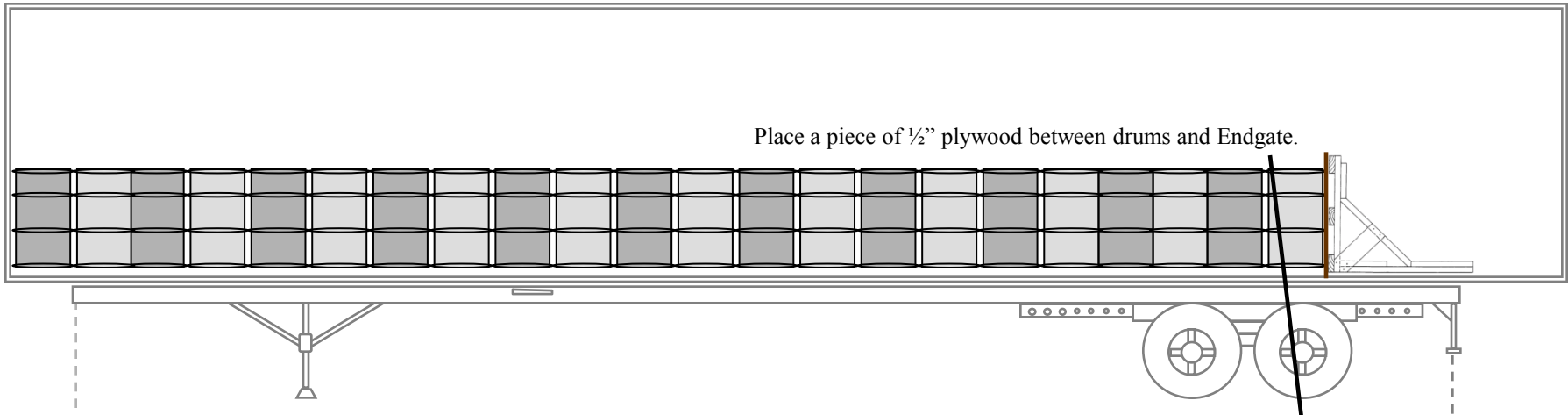


Nose

Side Wall Cutaway View

Rear

Place a piece of 1/2" plywood between drums and Endgate.

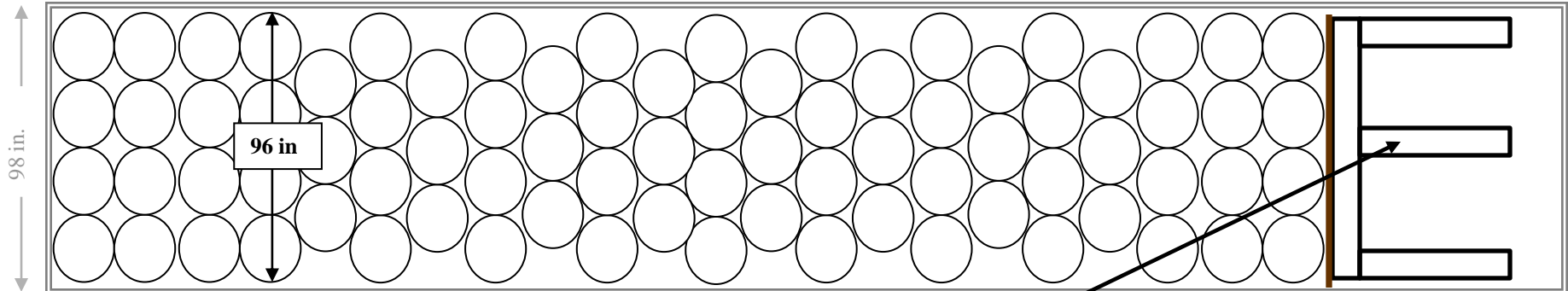


630" (interior length)

Nose

Overhead View

Rear



For Endgate securement, enough 16d nails need to be applied, to support weight of entire lading.

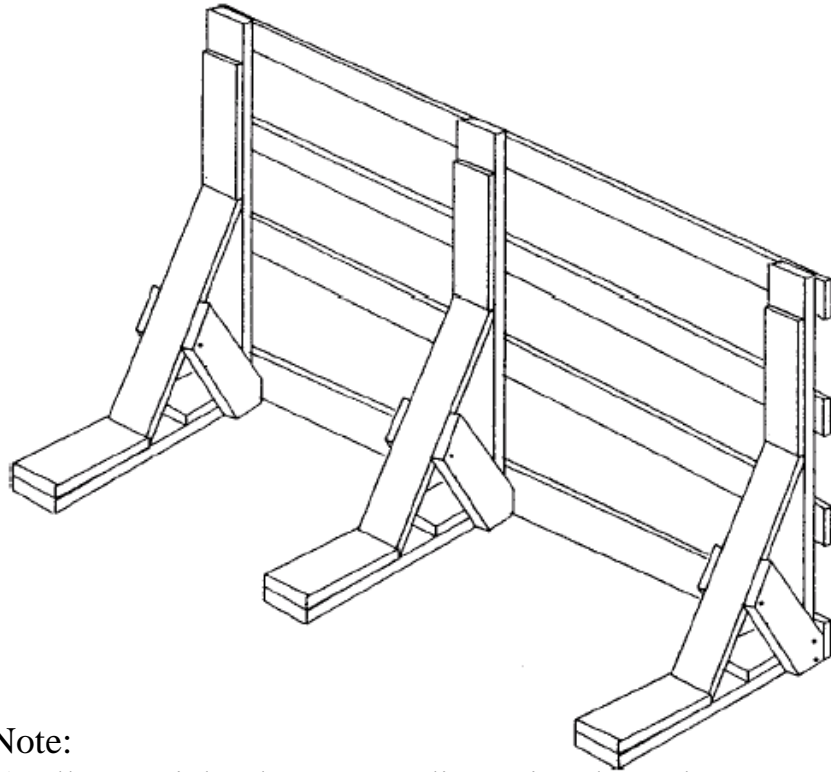
NOT TO SCALE



Union Pacific Damage Prevention
File:55 gallon drums with Ty-Gard
Date:03/03/2010 By: TJP



Rear Gate Construction



Lengths of Diagonals to Trailer Floor (in feet)

Height of Application of Diagonal Brace to Cross Brace or Load Above Trailer Floor	Minimum Length of Diagonal Brace Required
1	1½
1½	2¼
2	3
2½	3½
3	4¼
3½	5
4	5¾
4½	6½
5	7¼
5½	7¾
6	8½

Note:

- 1) All Material to be 2" x 6" dimensional Lumber
- 2) All Floor Securement Nails to be 16d (3.5")
- 3) All Floor Securement Nails to Applied in a Staggered Nailing Pattern Spaced Every 4-5 inches.



With Knee Brace

